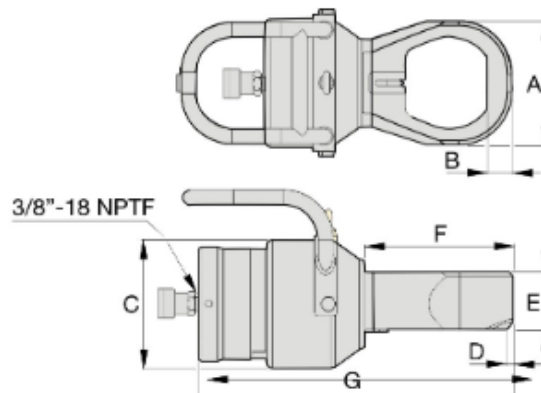


Specifications

Inquiry

- Specially designed to suit standard ANSI B16.5 / BS1560 flanges
- Single-acting (spring return) or double-acting cylinder
- Grip tape and handle included for more secure manoeuvrability
- Tri-blade technology provides three cutting surfaces on a single blade
- Internal Pressure Relief Valve for overload protection
- Nickel-plated cylinder body for excellent corrosion protection and improved durability in harsh environments



Bolt Range (mm)	Nut Range (mm)	Capacity ton (kn)	Oil Cap (cm ³)	Model	Dimensions							Hydraulic Cylinder (kg)	Cutting Head	Replacement Blade	
					A	B	C	D	E	F	G				
M45 - M52	70 - 80	103 (917)	377	NS-7080	132	28	180	8.0	81	186	412	37.0	NSC-70	NSH-7080	NSB-70
M45 - M56	70 - 85	103 (917)	377	NS-7085	145	30	180	8.0	81	196	422	37.0	NSC-70	NSH-7085	NSB-70
M45 - M64	70 - 95	103 (917)	377	NS-7095	160	32	180	8.0	81	201	432	38.5	NSC-70	NSH-7095	NSB-70
M45 - M72	70 - 105	103 (917)	377	NS-70105	174	35	180	9.0	81	209	443	39.5	NSC-70	NSH-70105	NSB-70
M76 - M80	110 - 115	193 (1711)	819	NS-110115	189	36	234	3.7	111	234	472	69.0	NSC-110	NSH-110115	NSB-110
M76 - M90	110 - 130	193 (1711)	819	NS-110130	219	41	234	2.5	111	242	493	71.5	NSC-110	NSH-110130	NSB-110